

ADVANCED RUBBER PRODUCTS

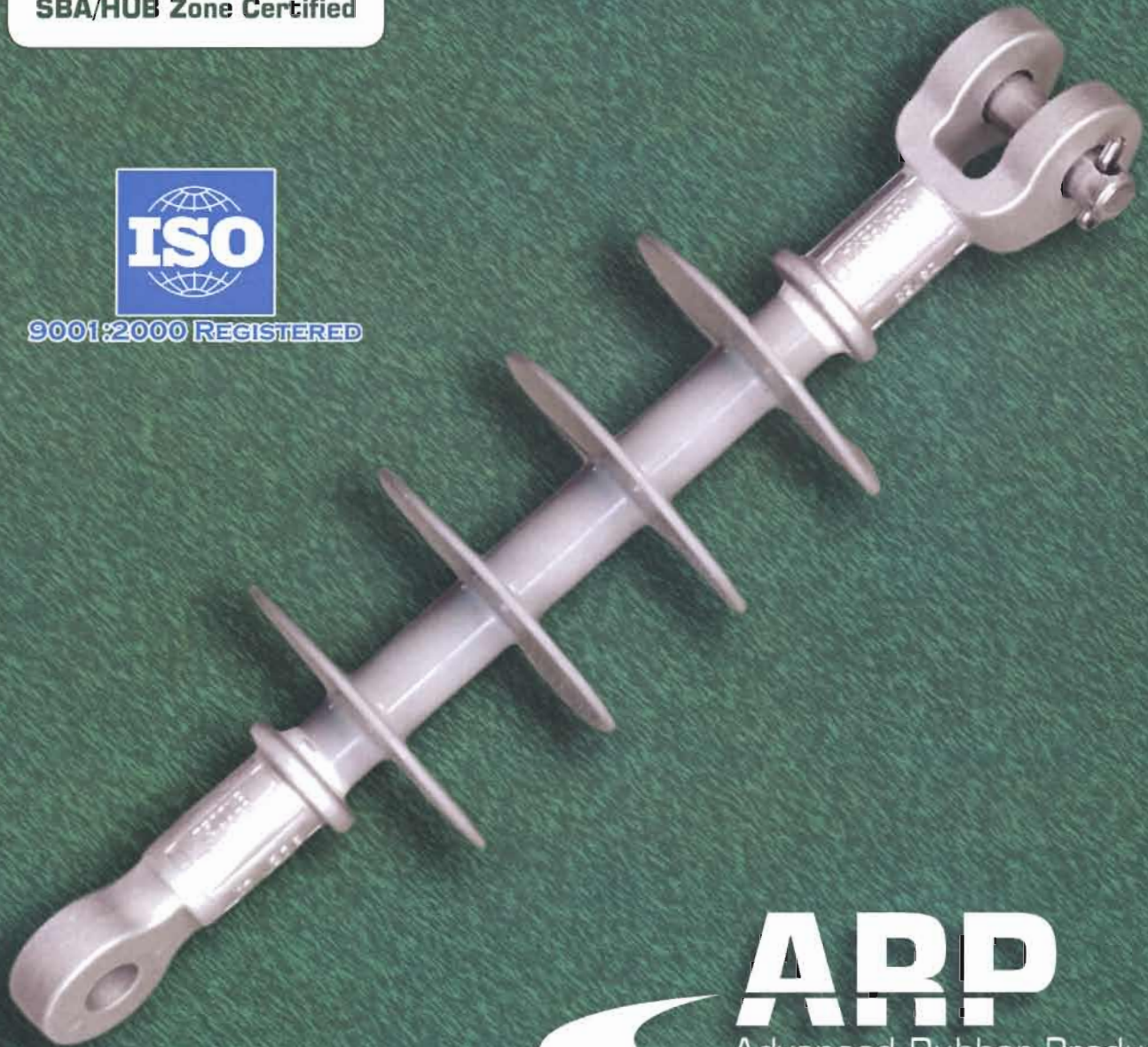
15kV Silicone Polymer Insulator with Aluminum End Fittings

Imagination fused with high technologies

Disabled Veteran Owned
SBA/HUB Zone Certified

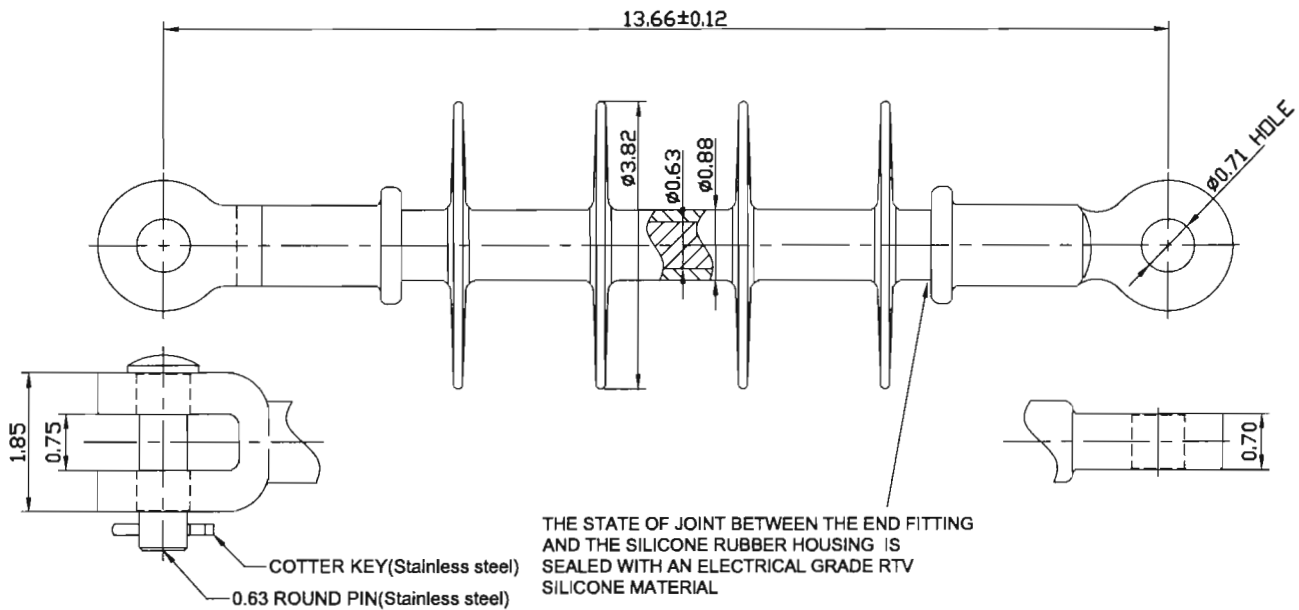


9001:2000 REGISTERED



ARP
Advanced Rubber Products
Div. of TMP Technologies Inc.

ADVANCED RUBBER PRODUCTS



DIMENSIONS

LEAKAGE DISTANCE 18.07 in.

DRY ARCING DISTANCE 8.30 in.

MECHANICAL VALUES

SPECIFIED MECHANICAL LOAD 15,000 lb.

TORSIONAL LOAD 40 ft-lb.

PACKING INFORMATION

NET WEIGHT EACH 1.7 lb.

PACKED WEIGHT EACH 1.9 lb.

NO. IN STANDARD PACKAGE 10

ELECTRICAL VALUES

60 Hz FLASHOVER-DRY 105 kV

60 Hz FLASHOVER-WET 70 kV

IMPULSE FLASHOVER-POS 175 kV

IMPULSE FLASHOVER-NEG 190 kV

IMPULSE FLASHOVER-POS 165 kV

IMPULSE FLASHOVER-NEG 180 kV

RADIO INFLUENCE VOLTAGE DATE

60 Hz TEST VOLTAGE 15kV

MAXIMUM RIV @ 1,000kHz 10uV

CATALOG NO. ARP-15SKCE-A

NOTE:

1. END FITTINGS MADE FROM ALUMINUM ALLOY.
2. FIBERGLASS ROD MADE FROM EPOXY RESIN.
3. THIS ASSEMBLY USES A STAINLESS STEEL ROUND PIN AND STAINLESS STEEL SPRING COTTER KEY.
4. INSULATOR MOLDED FROM HIGH-QUALITY ELECTRICAL GRADE SILICONE RUBBER.



6110 Lamb Road
Wyoming, NY 14591
Phone: 585.495.6231

www.advancedrubberproducts.com
email: advancedrubberproducts@tmpotech.com
Fax: 585.495.6526